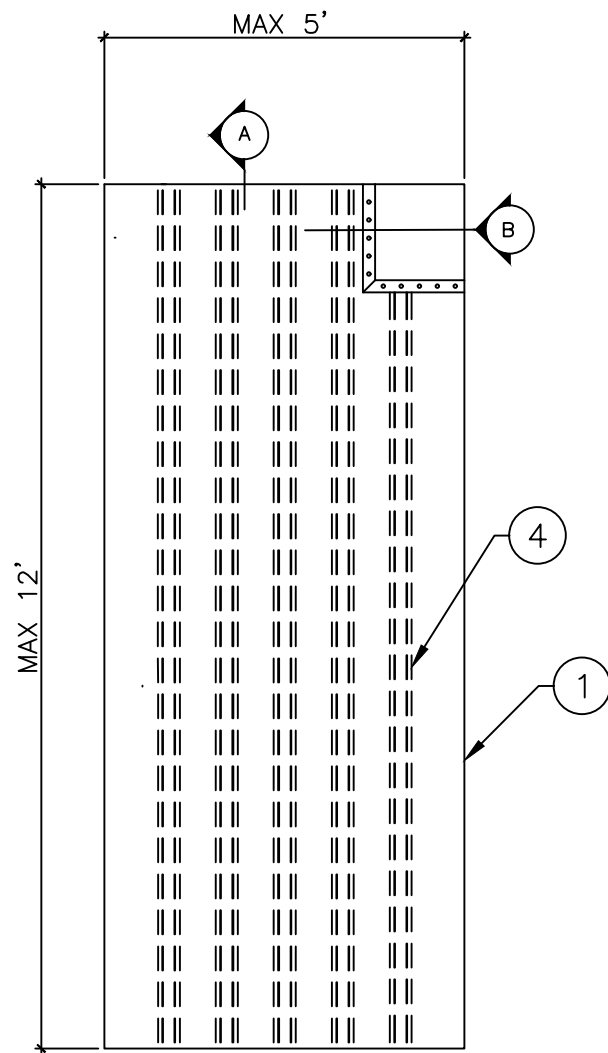
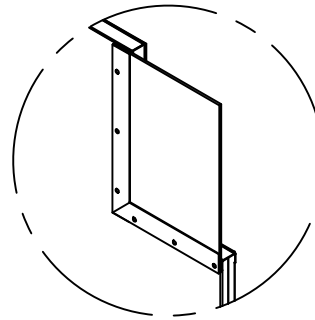
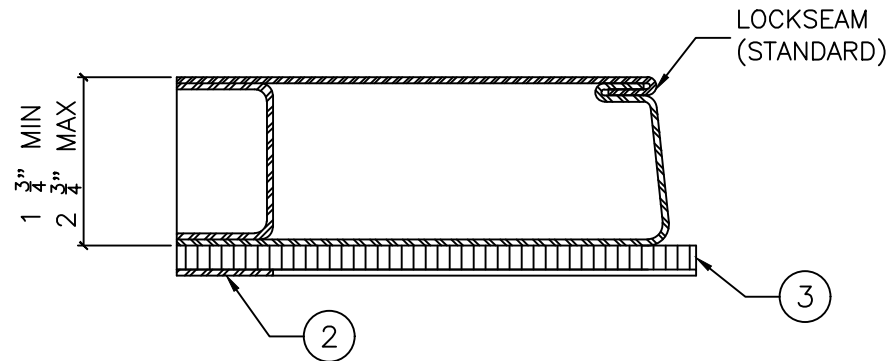


LEGEND:

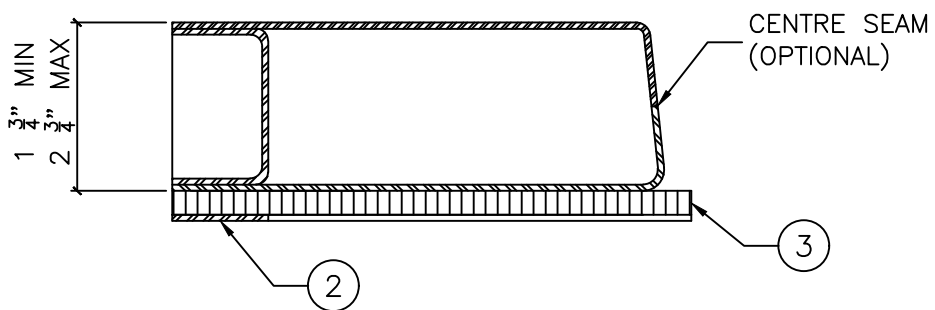
1. STEEL DOOR
2. REMOVABLE BLADE STOPS
3. 1/4" RUBBER - CUT AROUND MONORAIL AT SITE
4. STEEL STIFFENED CORE



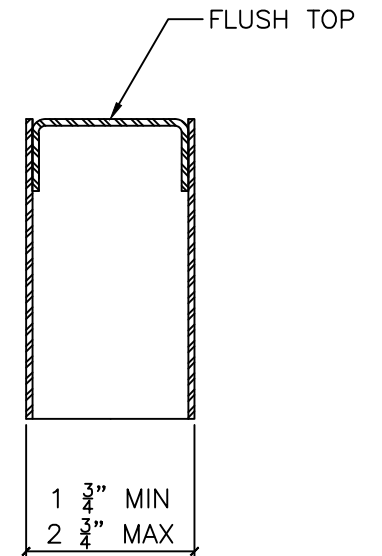
**ELEVATION**  
3/8" = 1'-0"



**DETAIL "B"**  
6"-0" = 1'-0"



**DETAIL "B"**  
6"-0" = 1'-0"



**DETAIL "A"**  
6"-0" = 1'-0"



DRAWING TITLE:

**OVERSIZED DOOR WITH MONORAIL CUTOUT**

DATE: -

DRAWN BY: -

REVISION: