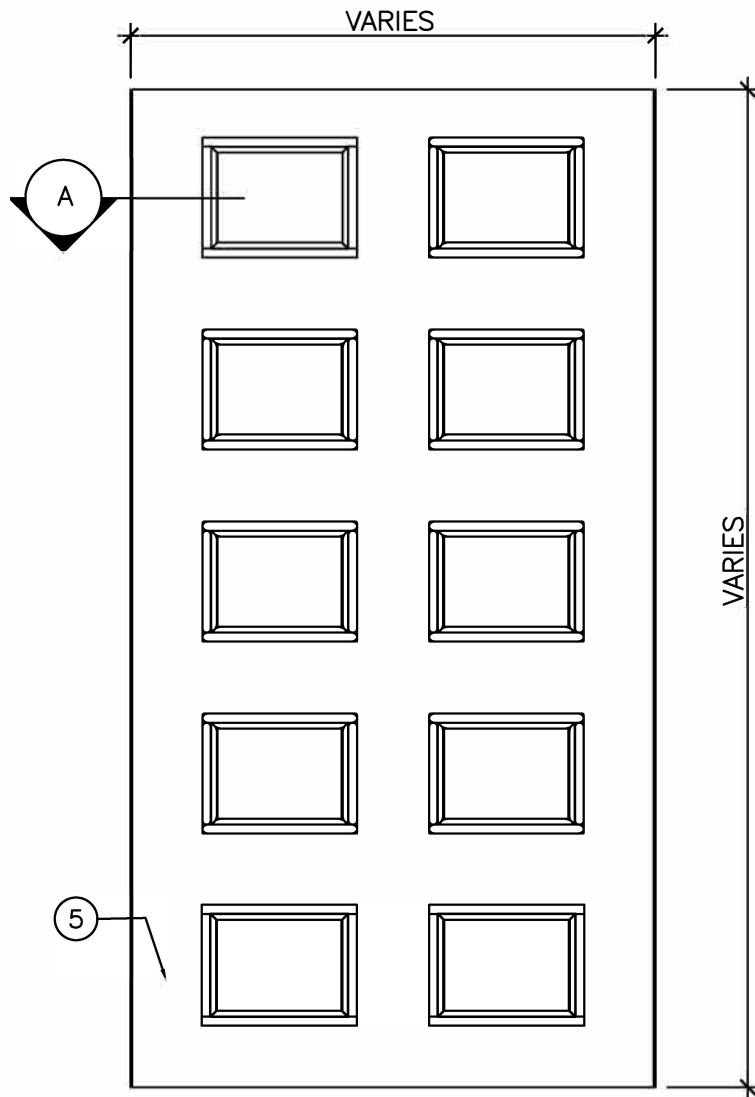


LEGEND:

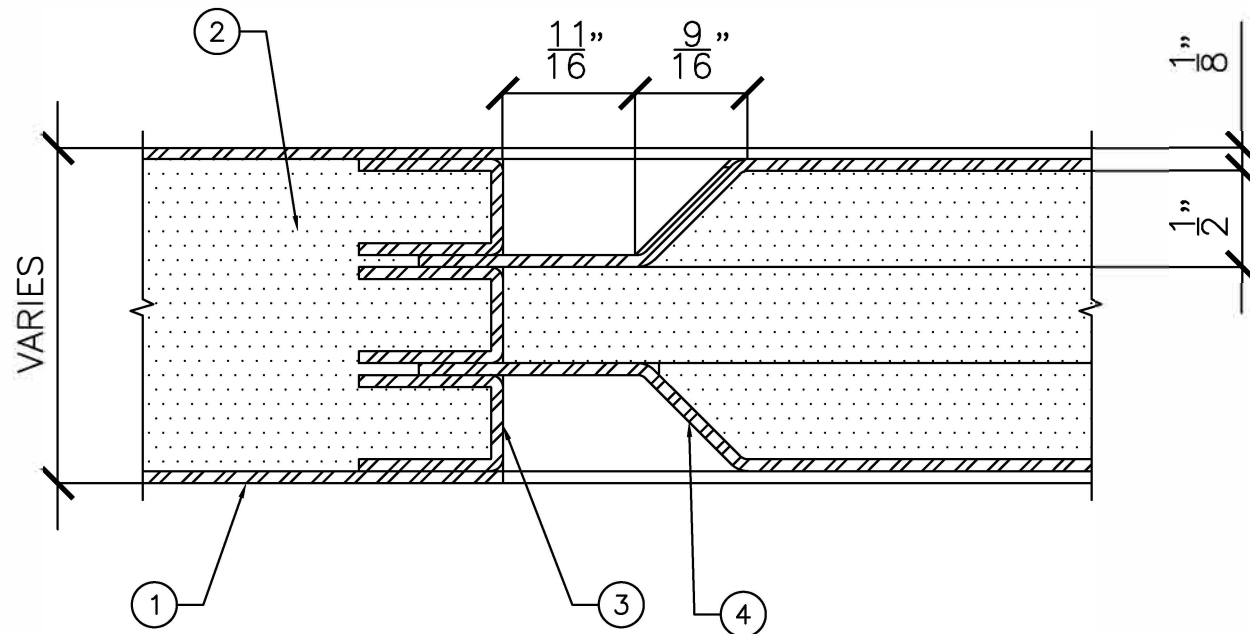
- 1. HOLLOW METAL DOOR.
- 2. FIBERGLASS INSULATED DOOR CORE.
- 3. REINFORCING AROUND ENTIRE PERIMETER OF THE RECESSED PANEL CUTOUT.
- 4. FORMED RECESSED PANEL.
- 5. STANDARD 6" STILES AND RAILS.



SIZES SHOWN REFER TO  
DOOR CUTOUT SIZES.

**ELEVATION**

$3/4" = 1'-0"$



**SECTION "A"**

$1"-0" = 1'-0"$



DRAWING TITLE:

TEN RECESSED PANEL HOLLOW METAL DOOR

DATE:

DRAWN BY:

REVISION:

0