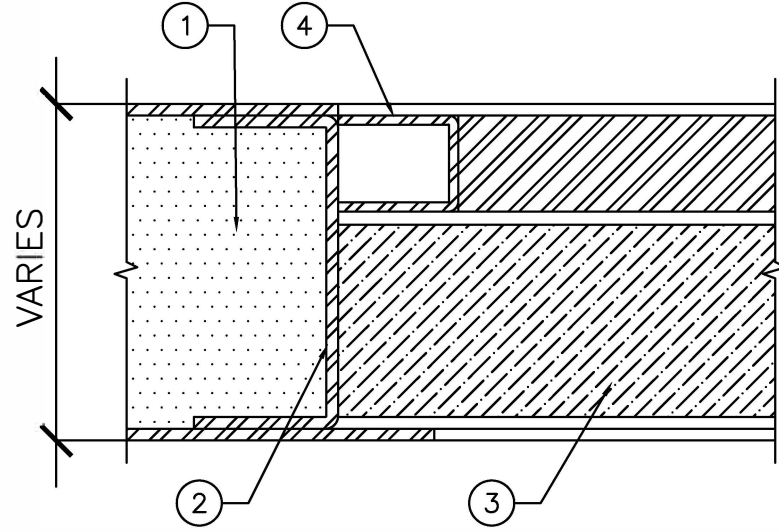
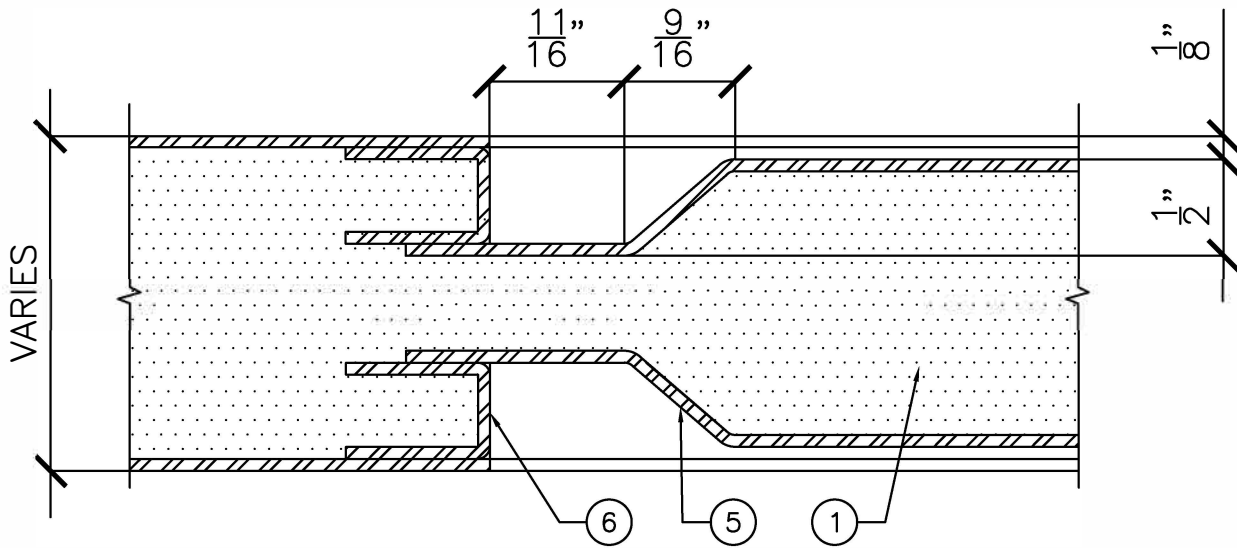


SIZES SHOWN REFER TO DOOR CUTOUT SIZES.

ELEVATION
3/4" = 1'-0"



SECTION "A"
1"-0" = 1'-0"



SECTION "B"
1"-0" = 1'-0"

- LEGEND:
1. FIBERGLASS INSULATED DOOR CORE AND RECESSED PANEL CORE.
 2. CHANNEL REINFORCING AROUND LITE KIT CUTOUT.
 3. MAXIMUM 15/16" THICK GLASS.
 4. GLAZING BEADS ON BACK SIDE..
 5. FORMED RECESSED PANEL.
 6. VERTICAL STIFFENERS AROUND RECESSED PANEL.
 7. STANDARD 6" STILES AND RAILS.



DRAWING TITLE:
THREE RECESSED PANEL DOOR WITH LITE KIT

DATE:
DRAWN BY:
REVISION: 0