

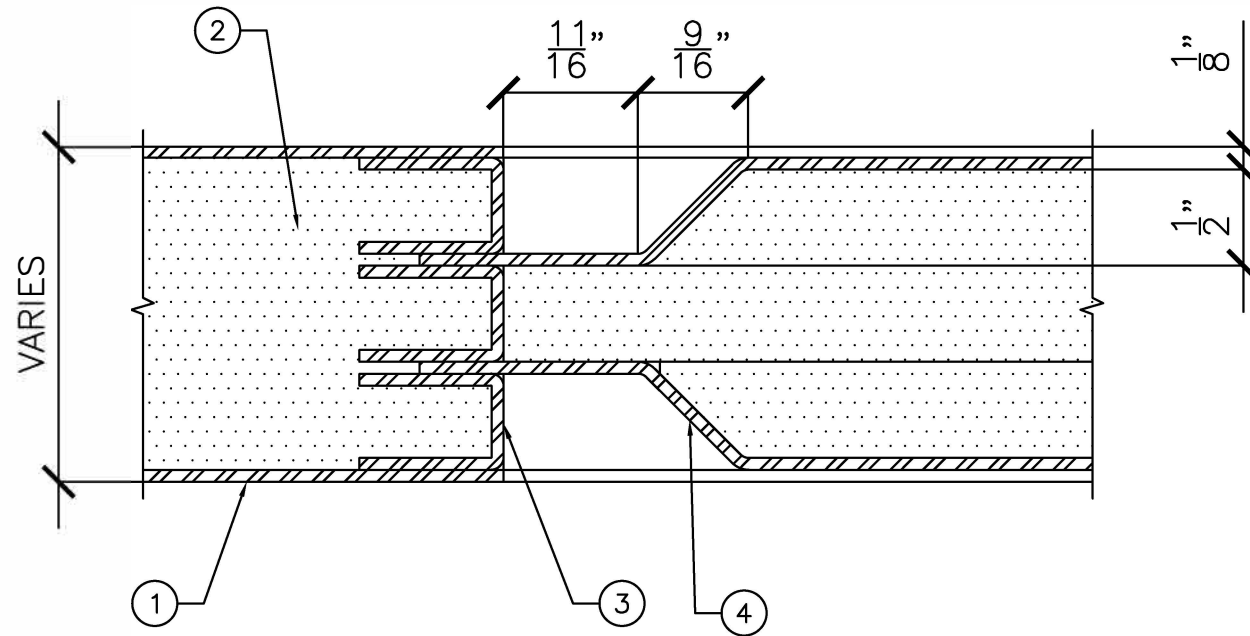
SIZES SHOWN REFER TO
DOOR CUTOUT SIZES.

ELEVATION

$3/4" = 1'-0"$

LEGEND:

1. HOLLOW METAL DOOR.
2. FIBERGLASS INSULATED DOOR CORE.
3. REINFORCING AROUND ENTIRE PERIMETER OF THE RECESSED PANEL CUTOUT.
4. FORMED RECESSED PANEL.
5. STANDARD 6" STILES AND RAILS.



SECTION "A"

$1"-0" = 1'-0"$



DRAWING TITLE:

SIX RECESSED PANEL HOLLOW METAL DOOR

DATE:

DRAWN BY:

REVISION:

0