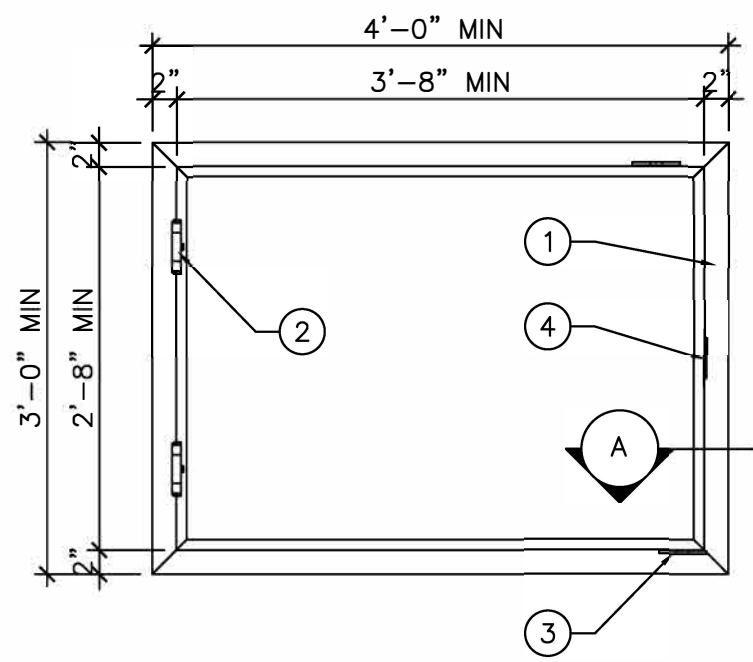
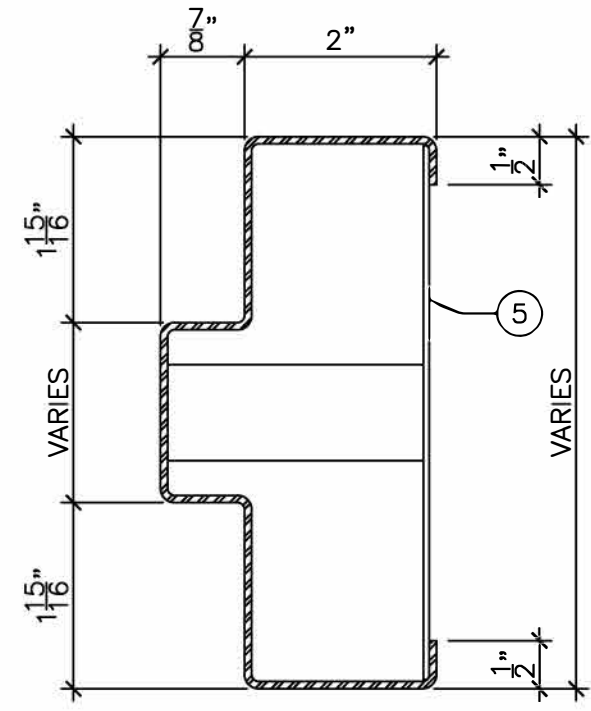


- LEGEND:
1. TORNADO RESISTANT 4-SIDED SHUTTER FRAME.
 2. HEAVY-DUTY GALLEY GSH 918 SS HINGES.
 3. SECURITECH MULTI-POINT LOCK.
 4. SECURITECH STRIKE.
 5. ANCHOR BOLTS.



ELEVATION
 $3/4'' = 1'-0''$



DETAIL "A"
 $6'' = 1'-0''$



DRAWING TITLE:
TORNADO RESISTANT SHUTTER FRAME TO FEMA 361 / ICC 500-2008

DATE:
 DRAWN BY:
 REVISION: 0