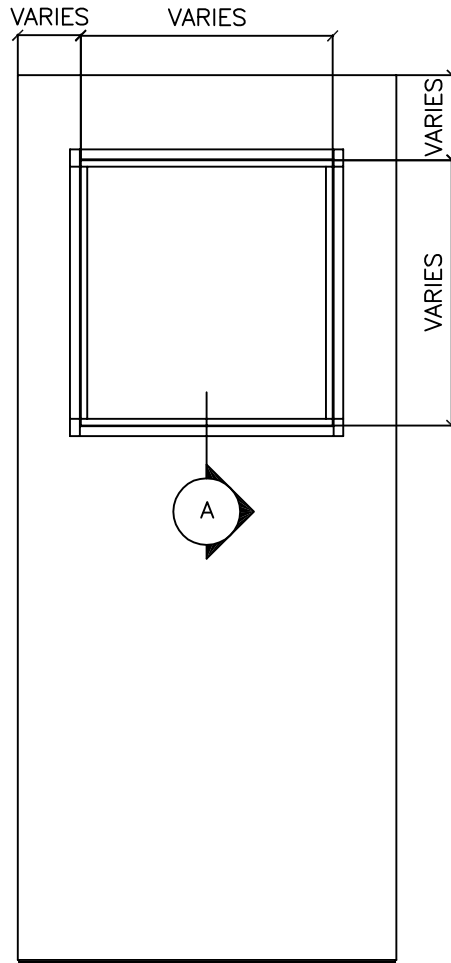
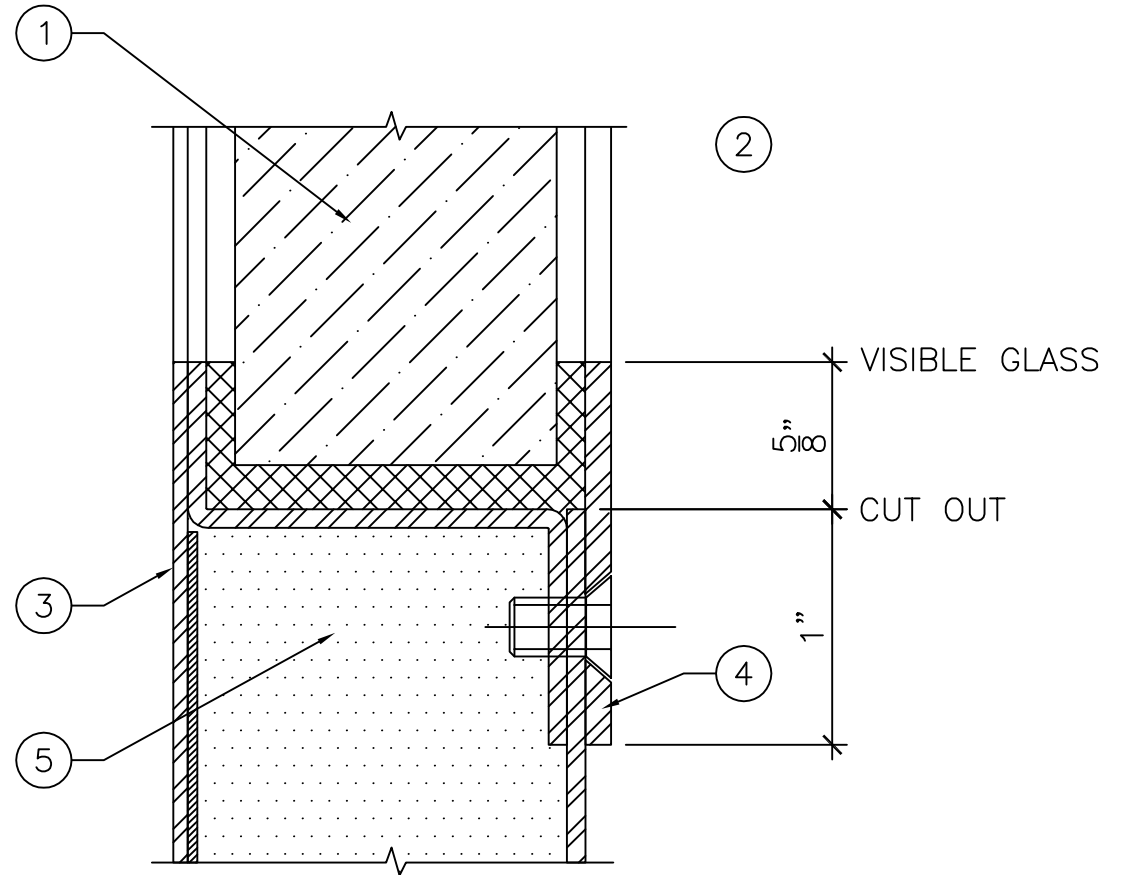


FOR STC 48 RATING MAX AREA
OF CUTOUT = 345 SQ.IN.



ELEVATION
3/4" = 1'-0"

- LEGEND:
1. ACCOUSTIC GLASS
 2. FIXED STOP ON THE SECURE SIDE (LOCK CYLINDER SIDE) OF THE DOOR.
 3. REMOVABLE STOP C/W #10 FH SCREWS.
 4. ALL VOIDS FILLED WITH SOUND DEADENER.



SECTION "A"
1'-0" = 1'-0"

CONSULT AMBICO FOR ADDITIONAL
LITE KIT DESIGNS